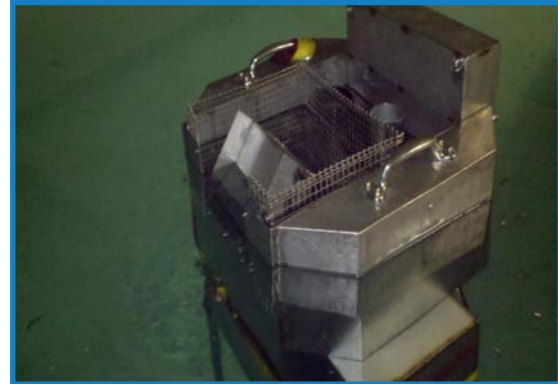
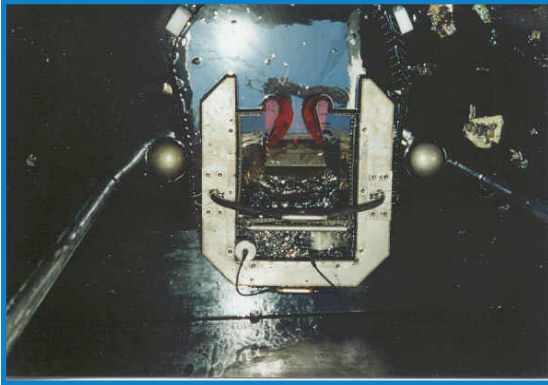


8500-SA Smart skimmer

100% oil recovery with no layer left on surface.

skim-pak®

SMART SKIMMER, oil processor



Floating skimmer

The 8500-SH has a flow-controlled weir with adjustable flow rate capabilities. The skimmer will pull oil and water into the skimmer sump. The water is discharge out the bottom of the skimmer sump. Oil accumulates on the surface inside the skimmer. When the oil has thickened on the surface in the skimmer sump. A pump will off load just 100% oil with no water*.

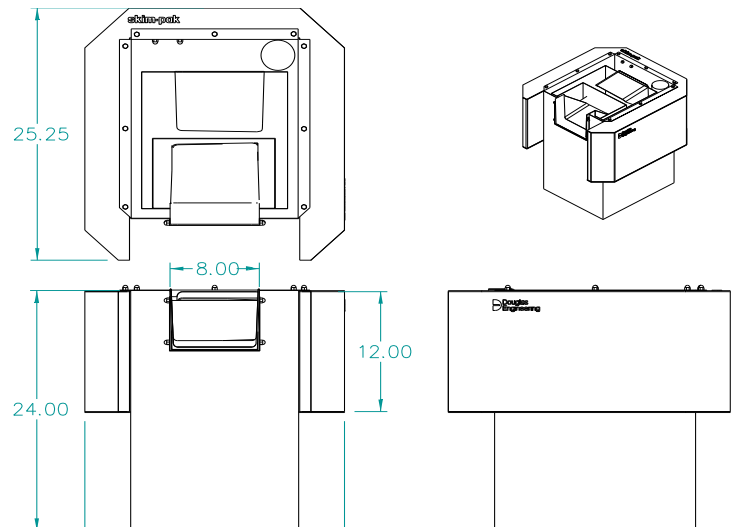
The Smart Skimmer has programmable functions and use a PLC type controller. The skimmer can be prograded to start and stop at regular interval and if no oil is recovered it will reset. The skimmer can be set up for fully automatic operation or can be “dumbed” down and be manually operated.

Skimmer system is ideally suited for storm water run off site, water retention ponds or API separators.

Skimmer can be operated with different types of pumps. Different configuration are available for deep sump applications or off shore oil platforms.

When you want only oil removed to your receiving tank and all the oil off the surface of the sump, pond ect. This is the skimmer for you.

* oil must be “free floating”. Emulsify or treated oil may be more difficult to recover with water.



Model 8500-SA

The model 8500-SH is a floating skimmer for the removal of oil from Ponds, sumps and other applications with floating oil sheens.

Dimensions	24 x 24 x 36in
Weight	180lbs
Material	304 Stainless
Port Size	1.5in
Flow Rate	20 GPM intake flow rate. Oil off load as accumulates

Flow-Control Weir Skimmer Heads

Model #	Construction*	Flow Rate (Maximum)	Pipe Size	Draft	Weir Width	Dimensions	Weight
320-SH	Polyethylene	.5 - 5 GPM	.50in	1.5in	2.50in	6.00 x 5.50 x 2.00in	1.00lb
		2 - 19 LPM	1.27cm	3.81cm	6.35cm	15.24 x 13.97 x 5.08cm	.45kg
650-SH	Stainless 304	2 - 10 GMP	1.00in	3.00in	4.00in	9.00 x 7.00 x 4.50in	6.00lb
		8 - 38 LPM	2.54cm	7.62cm	10.16cm	22.86 x 17.78 x 11.43cm	2.72kg
2300-SH	ABS Plastic	5 - 58 GPM	1.50in	3.00in	8.00in	20.00 x 2.00 x 6.00in	8.00lb
		19 - 220 LPM	3.81cm	7.62cm	20.32cm	50.8 x 30.48 x 15.24cm	3.63kg
2500-SH	Stainless 304	5 - 58 GPM	1.50in	4.00in	7.00in	23.00 x 15.00 x 10.50in	25lb
		19 - 144 LPM	3.81cm	10.16cm	17.78cm	58.42 x 38.10 x 26.67cm	11.35kg
4300-SH	ABS Plastic	5 - 95 GPM	2.00in	5.00in	12.00in	28.00 x 21.00 x 8.25in	17lb
		19 - 360 LPM	5.08cm	12.70cm	30.48cm	71.72 x 53.34 x 20.95cm	7.72kg
4500-SH	Stainless 304	5 - 68 GPM	2.00in	6.00in	12.00in	27.00 x 18.50 x 11.00in	42lb
		19 - 257 LPM	5.08cm	15.24cm	30.48cm	68.58 x 46.99 x 27.94cm	19.07kg
18300-SH	ABS Plastic	10 - 420 GPM	3.00in	8.00in	20.00in	40.00 x 24.00 x 15.00in	30lb
		38 - 1590 LPM	7.62cm	20.32cm	50.80cm	101.60 x 60.96 x 38.10cm	13.62kg
18500-SH	Stainless 304	10 - 300 GPM	3.00in	8.00in	20.00	43.00 x 30.50 x 14.00in	78lb
		39 - 1136 LPM	7.62cm	20.32cm	50.80cm	109.22 x 77.47 x 35.56cm	35.41kg

*Stainless Steel 304 is standard. Options include Stainless Steel 316, 316L and aluminum. Weights and dimensions shown refer to Stainless 304, 316, and 316L. Aluminum weights will vary.

Floating Fixed Weir Skimmer Heads

Model #	Construction*	Flow Rate (Maximum)	Pipe Size	Draft	Weir Width	Dimensions	Weight
670-SH	Stainless 304	10 GPM	1.00in	3.00in	4.00in	9.00 x 7.00 x 4.50in	7lb
		38 LPM	2.54cm	7.62cm	10.16cm	11.86 x 17.78 x 11.43cm	3.18kg
2700-SH	Stainless 304	38 GPM	1.50in	4.00in	7.00in	21.00 x 16.00 x 12.00in	11lb
		144 LPM	3.81cm	10.16cm	17.78cm	53.34 x 40.64 x 30.48cm	4.99kg
4700-SH	Stainless 304	69 GPM	2.00in	6.00in	12.00in	27.00 x 18.50 x 8.25in	45lb
		257 LPM	5.08cm	15.24cm	30.48cm	68.58 x 46.99 x 20.96cm	20.43kg
18700-SH	Stainless 304	300 GPM	3.00in	12.00in	20.00in	43.00 x 23.00 x 14.00in	78lb
		1136 LPM	7.62in	30.48cm	50.48cm	109.22 x 58.42 x 35.56cm	35.41kg

*Stainless Steel 304 is standard. Options include Stainless Steel 316, 316L and aluminum. Weights and dimensions shown refer to Stainless 304, 316, and 316L. Aluminum weights will vary.

**Delivery (accumulation) rate is dependent on product type, viscosity, temperature, and concentration.

Smart Skimmer

Model #	Construction	Flow Rate (Maximum)	Pipe Size	Draft	Weir Width	Dimensions	Weight
8500-AS	Stainless 304	10 GPM (Pure Oil)	N/A	36.00in	N/A	26.00 x 24.00 x 24.00in	78lb
		38 LPM (Pure Oil)	N/A	91.44cm	N/A	66.04 x 60.96 x 60.96cm	35.41kg

High Temperature Limits

- Ultra High Molecular Weight Polyethylene212°F (100°C)
- Stainless Steel600°F (315°C)
- ABS Plastic160°F (70°C)

skim-pak™

215 West Franklin St. #206 Monterey, Ca 93940 • Phone 831.920-1470 • dhoover@skimpak.com

www.skimpak.com